

**CROWN**

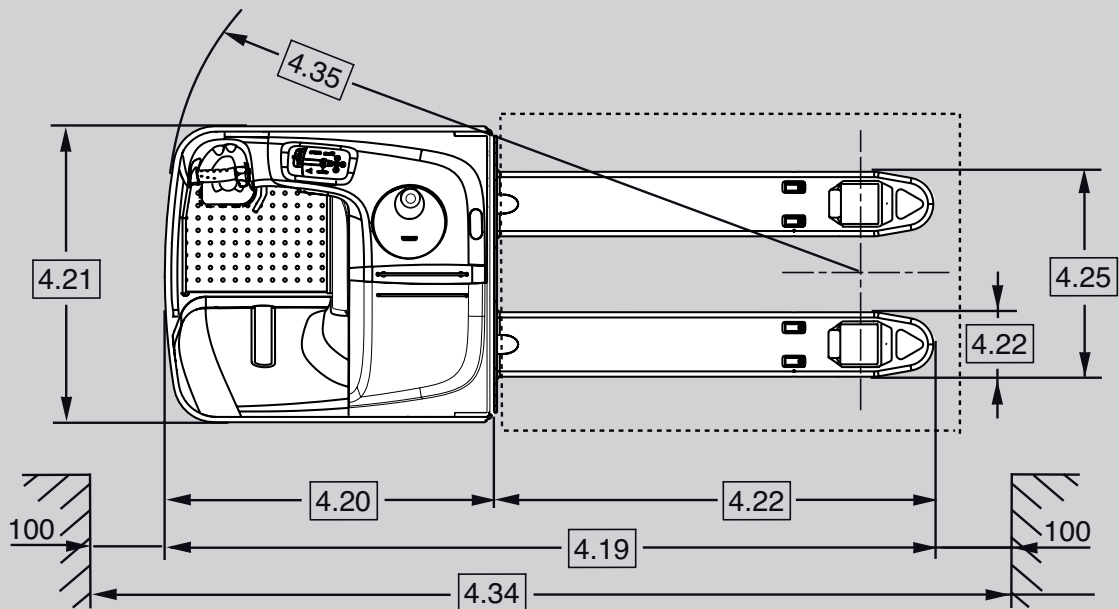
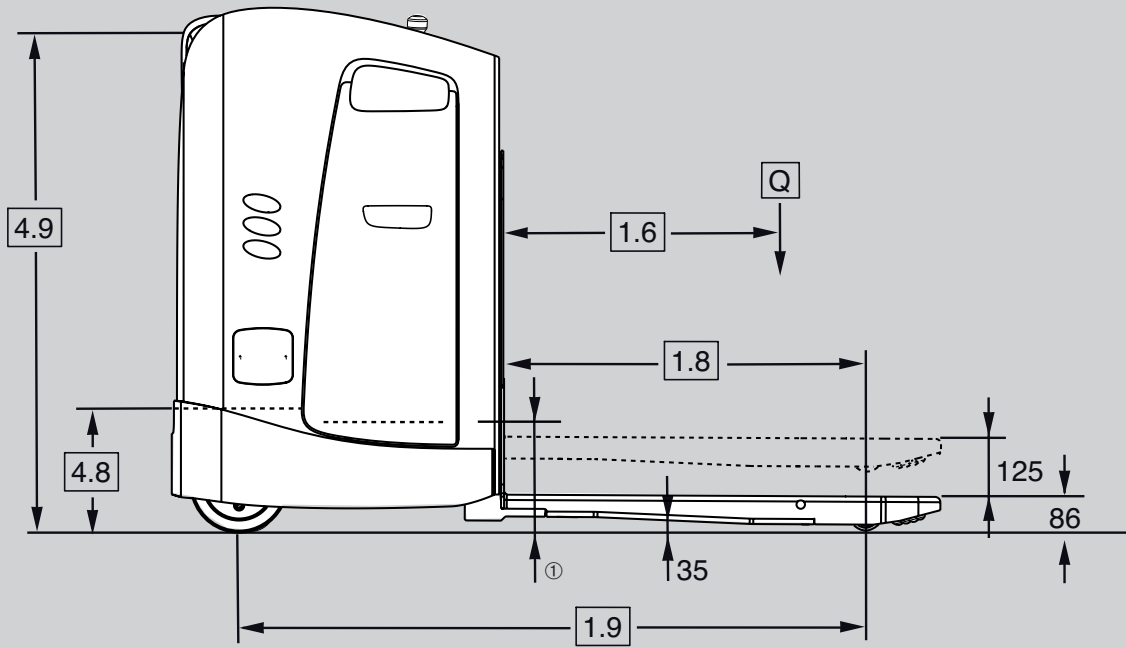
# RT 4000 SERIES

## Specifications

Rider Pallet Truck

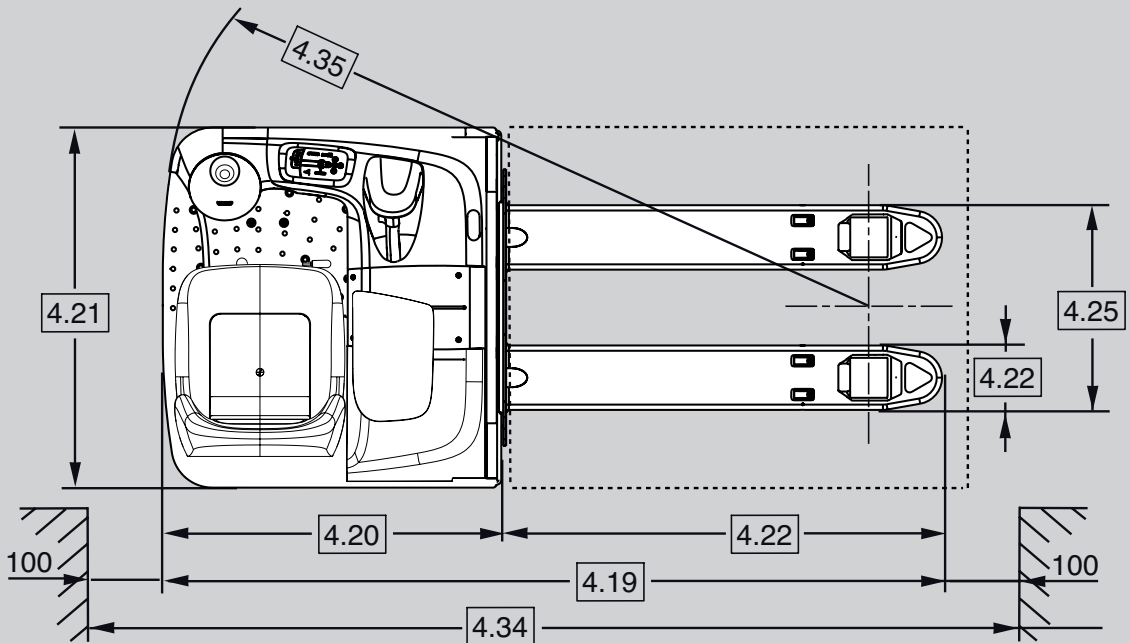
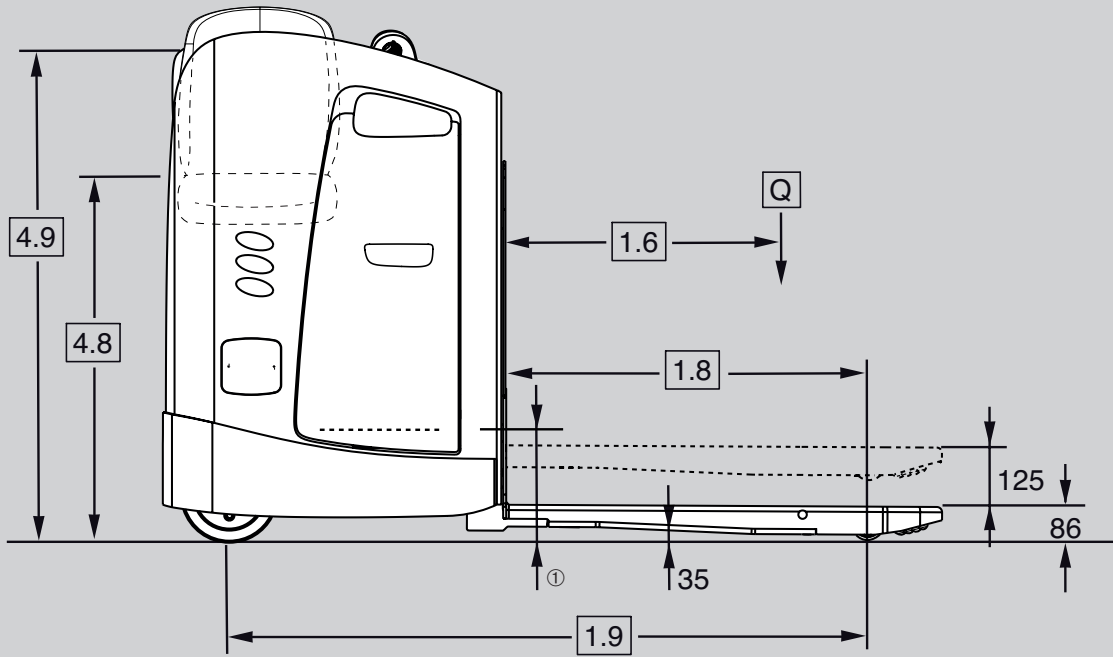


RT 4020



① 260 mm Battery Rollers

RT 4040



① 260 mm Battery Rollers

Distinguishing Mark	1.1	<b>Manufacturer</b>	Crown Equipment Corporation				
	1.2	<b>Model</b>			RT 4020-2.0	RT 4040-2.0	
	1.3	<b>Power Source</b>			electric		
	1.4	<b>Operator Type</b>			Stand-up	Sit-down	
	1.5	<b>Rated Capacity</b>		Q	t	2.0	
	1.6	<b>Load Centre</b>		c	mm	see table 1	
	1.8	<b>Load Distance</b>	raised	x	mm	see table 1	
	1.9	<b>Wheelbase</b>	raised	y	mm	see table 1	
	Tyres/Wheels/Chassis	2.1	<b>Service Weight</b>	less battery		kg	see table 1
2.2		<b>Axle Load</b>	with load, front / rear		kg	see table 1	
2.3		<b>Axle Load</b>	without load, front / rear		kg	see table 1	
3.1		<b>Tyres</b>				Vulkollan	
3.2		<b>Tyre Size</b>	front		mm	Ø 250 x 75	
3.3		<b>Tyre Size</b>	rear		mm	Ø 82 x 100	
3.4		<b>Additional Wheels</b>	castor wheel		mm	2x Ø 125 x 54	
Dimensions	3.5	<b>Wheels</b>	number front/rear (x=driven wheels)			1x + 2/2	
	3.6	<b>Tread</b>	front	b10	mm	472	642
	3.7	<b>Tread</b>	rear	b11	mm	370	
	4.4	<b>Lift Height</b>	collapsed height	h3	mm	211	
	4.8	<b>Seat Height relating to SIP/Stand Height</b>		h7	mm	298	1051
	4.9	<b>Height Control Handle</b>	in driving position	h14	mm	1302	1347
	4.15	<b>Fork Height</b>	lowered	h13	mm	86	
	4.19	<b>Overall Length</b>	raised / lowered identical	l1	mm	see table 1	
	4.20	<b>Head Length</b>	raised / lowered identical	l2	mm	876	906
	4.21	<b>Overall Width</b>		b1	mm	780	950
	4.22	<b>Fork Dimensions</b>	DIN ISO 2331	s/e/l	mm	see table 1	
	4.25	<b>Fork Spread</b>		b5	mm	see table 1	
	4.32	<b>Ground Clearance</b>	centre wheelbase	m2	mm	35	
	Performance Data	4.34.1	<b>Aisle Width <sup>1</sup></b>	for pallets 1000x1200 crossways, raised	Ast	mm	2277
4.34.2		<b>Aisle Width <sup>1</sup></b>	for pallets 800x1200 lengthways, raised	Ast	mm	2077	2123
4.35		<b>Turning Radius</b>	raised	Wa	mm	see table 1	
5.1		<b>Travel Speed</b>	with / without load, Power unit first		km/h	9.0 / 12.5	
5.1.1		<b>Travel Speed Backwards</b>	with / without load, Forks first		km/h	7.6 / 10.5	
5.2		<b>Lift Speed</b>	with / without load		m/s	0.05 / 0.08	
Electric Motor	5.3	<b>Lowering Speed</b>	with / without load		m/s	0.05 / 0.08	
	5.8	<b>Max. Gradeability</b>	with / without load, 5 min. rating		%	8 / 24	
	5.10	<b>Service Brake</b>				electric	
	6.1	<b>Traction Motor</b>	rating at S2 60 min. / H-class		kW	4.0	
	6.2	<b>Pump Motor</b>	rating at S3 10%		kW	1.3	
	6.3	<b>Battery</b>	according to DIN 43531/35/36 A, B, C, no			B	A
		<b>Max. Battery Box Size</b>		lxwxh	mm	284x624x627 (288x628x784)	273x830x627 (277x835x784)
	6.4	<b>Battery Voltage <sup>2</sup></b>	nominal capacity 5h rating		V/Ah	24 / 315-375 (420-465)	24 / 420-500 (560-620)
	6.5	<b>Battery Weight <sup>2</sup></b>	min./max.		kg	288/302 (385/404)	372/391 (502/527)
	10.7	<b>Sound Pressure Level</b>	at the operator's seat		dB(A)	62	

<sup>1</sup> Ast calculation based on standard truck configuration with 1150 mm fork length and 368 mm fork tip length

<sup>2</sup> With optional larger battery use values in brackets

Table 1

1.2	Model	RT 4020													
1.6	<b>Load Center</b>		c	mm	500	600	600	700	800	800	800	1000	1000	1200	1200
1.8	<b>Load Distance <sup>1</sup></b>	raised	x	mm	757	907	957	1157	1357	1032	995	1432	1395	1832	1795
1.9	<b>Wheelbase <sup>1</sup></b>	raised	y	mm	1456	1606	1656	1856	2056	1731	1694	2131	2094	2531	2494
2.1	<b>Service Weight</b>	less battery		kg	687	692	694	700	727	727	727	753	753	778	778
2.2	<b>Axle Load</b>	with load	front	kg	857	901	954	1031	1105	800	758	974	943	1098	1073
			rear	kg	1830	1791	1740	1669	1622	1927	1969	1779	1810	1680	1705
2.3	<b>Axle Load</b>	without load	front	kg	504	518	523	539	563	532	528	569	565	599	596
			rear	kg	183	174	171	161	164	195	199	184	188	179	182
4.19	<b>Overall Length</b>		l1	mm	1876	2026	2076	2276	2476	2476	2476	2876	2876	3276	3276
4.22	<b>Fork Length</b>		l	mm	<b>1000</b>	<b>1150</b>	<b>1200</b>	<b>1400</b>	<b>1600</b>	<b>1600</b>	<b>1600</b>	<b>2000</b>	<b>2000</b>	<b>2400</b>	<b>2400</b>
4.22	<b>Fork Dimensions DIN ISO 2331</b>		s x e	mm	60 x 170					60 x 182					
4.22a	<b>Fork Tip Length</b>			mm	368	368	368	368	368	693 *	730 **	693 *	730 **	693 *	730 **
4.25	<b>Fork Spread</b>			mm	540 / 520 / 560 / 670					550 / 530 / 570 / 680					
4.35	<b>Turning Radius <sup>1</sup></b>	raised	Wa	mm	1634	1784	1834	2034	2234	1909	1872	2309	2272	2709	2672

1.2	Model	RT 4040													
1.6	<b>Load Center</b>		c	mm	500	600	600	700	800	800	800	1000	1000	1200	1200
1.8	<b>Load Distance <sup>1</sup></b>	raised	x	mm	757	907	957	1157	1357	1032	995	1432	1395	1832	1795
1.9	<b>Wheelbase <sup>1</sup></b>	raised	y	mm	1488	1638	1688	1888	2088	1763	1726	2163	2126	2563	2526
2.1	<b>Service Weight</b>	less battery		kg	752	757	759	765	792	792	792	818	818	843	843
2.2	<b>Axle Load</b>	with load	front	kg	905	949	1002	1080	1154	852	810	1026	994	1150	1125
			rear	kg	1847	1808	1757	1685	1638	1940	1982	1792	1824	1693	1718
2.3	<b>Axle Load</b>	without load	front	kg	556	572	577	593	618	586	582	624	621	655	653
			rear	kg	196	185	182	172	174	206	210	194	197	188	190
4.19	<b>Overall Length</b>		l1	mm	1906	2056	2106	2306	2506	2506	2506	2906	2906	3306	3306
4.22	<b>Fork Length</b>		l	mm	<b>1000</b>	<b>1150</b>	<b>1200</b>	<b>1400</b>	<b>1600</b>	<b>1600</b>	<b>1600</b>	<b>2000</b>	<b>2000</b>	<b>2400</b>	<b>2400</b>
4.22	<b>Fork Dimensions DIN ISO 2331</b>		s x e	mm	60 x 170					60 x 182					
4.22a	<b>Fork Tip Length</b>			mm	368	368	368	368	368	693 *	730 **	693 *	730 **	693 *	730 **
4.25	<b>Fork Spread</b>			mm	540 / 520 / 560 / 670					550 / 530 / 570 / 680					
4.35	<b>Turning Radius <sup>1</sup></b>	raised	Wa	mm	1680	1830	1880	2080	2280	1955	1918	2355	2318	2755	2718

<sup>1</sup> Forks lowered + 58 mm

\* Only with single load wheel

\*\* Only with tandem load wheel

**Electric System / Batteries**

24-volt electrical system with nominal battery capacities from 315 Ah to 465 Ah (RT 4020) and from 420 to 620 Ah (RT 4040). The battery can be removed horizontally.

**Standard Equipment**

- Maintenance free 3-phase Crown (AC) traction motor
- e-GEN Braking System offers regenerative and frictionless electric braking. Mechanical braking applies only as parking brake
- Crown Access 1 2 3 Comprehensive System Control
  - LCD display
  - Keyless start up with PIN code
  - Start up and run time diagnostics
  - Battery discharge indicator and lift interrupt
  - 3 selectable traction performance profiles
  - Hour meters for monitoring various truck operating components
  - On-board diagnostics with real time trouble-shooting capabilities
  - Steering wheel direction indicator
- Operator compartment – RT 4020
  - Right hand steering
  - Suspended floorboard
  - Integrated presence sensor
  - Wraparound soft foam lean pad
- Operator compartment – RT 4040
  - Left hand steering
  - Adjustable floorboard height
  - Weight-adjustable suspended vinyl seat with forward/reverse adjustment
- Sealed electrical Deutsch Connectors
- Electric power disconnect switch
- Vulkollan drive tyre, dual spring loaded caster wheels and load wheels
- Single load wheels
- Ramp hold
- Battery connector DIN 160 A Rema

- Heavy-duty reinforced fork assembly and chassis with 8 mm thick steel skirt
- Easily removable steel covers including battery cover for convenient access
- Intelligent Electric Steering System with speed reduction in turns
- Pallet entry/exit rollers

**Optional Equipment**

- Left hand steering on RT 4020
- Fork length and spread options
- Battery rollout with safety interlock
- Battery connector options
- On-board charger (RT 4020 with 315-375 Ah only)
- Fabric seat (RT 4040)
- Rubber, rubber sipped, powerfriction or supertrac drive tyres
- Tandem load wheels
- Freezer conditioning
- InfoLink Ready
- 12V clean power supply
- 24V power supply
- Key switch or key pad
- Load backrest options
- Audible travel alarm
- Welded fork marks for cross pallet positioning
- Special paint
- Strobe lights
- Work Assist accessory tube
- Work Assist Accessories
  - Load tray
  - Storage pockets
  - Beverage holder
  - Trash bag holder
  - Scan gun holder
  - Small, medium and large clip pads
  - Mounting brackets for WMS terminals
- Lithium-Ion Battery Ready
- Enhanced suspended floorboard (RT 4020)
- Fold-down seat and foldable footrest (RT 4020)

**Electrical**

24 volt electrical system managed by Crown's Access 1 2 3 Comprehensive System Control. Virtually maintenance-free AC traction motor provides strong acceleration and control at any speed.

**Power Unit**

Designed to take the abuse of dock work, the rugged power unit features a reinforced 8 mm thick skirt to protect drive unit and caster components. A 8 mm skirt protects the battery and lift linkage. Removable steel covers ensure internal components are protected against impacts yet easily accessible for service.

**Operator Area and Controls**

The RT 4020 features an Entry Bar Safety Switch which alerts operators if their foot is outside the protection of the operator compartment. If the operator steps on the Entry Bar, truck will automatically slow down, an alarm sounds and "Entry Bar" is shown on the truck display.

Low step height and wide, rounded access make it easy to step on and off the truck. A contoured lean pad on the RT 4020 provides a soft contact surface to lean against.

Side-stance operation provides for maximum visibility in both driving directions. The hand grips are urethane covered for insulation from cold and vibration with integrated horn button for easy activation.

An ergonomic forward/reverse thumb wheel allows for precise manoeuvring.

The electric steering improves manoeuvrability and responsiveness, even with heavy loads.

Combined with speed reduction in turns, electric steering safely delivers top driving performance.

**Access 1 2 3 Comprehensive System Control**

Crown's Access 1 2 3 technology provides optimum performance and control by offering a communications interface for the operator and service technician, intelligent coordination of lift truck systems and simplified service with advanced diagnostics.

The display includes a full featured on-board service tool so service technicians can actively view inputs and outputs during truck operation. No laptop or service terminal is required. Event code history, including the last 16 events, is accessible through the display.

The display provides a convenient interface for operators, keeping them informed (hour meters, BDI, operator messages, service codes) of any changes impacting truck performance and allowing them to choose from three performance profiles when enabled.

Performance tuning can be accessed at the display to customise truck performance for specific applications or operator requirements. In addition, up to 25 PIN codes can be assigned to individual operators and matched to one of the pre-programmed performance profiles if desired.

**e-GEN Braking System**

The power of the high-torque AC traction motor is used to stop the truck and keep it static until a travel input is requested, even when operating on a gradient. This system eliminates adjustments and wear points for a lifetime of maintenance free use. An automatic parking brake activates if the truck is stopped and the operator leaves the platform or power is disconnected.

**Safety Regulations**

Conforms to Australian safety standards.

Dimensions and performance data given may vary due to manufacturing tolerances. Performance is based on an average size vehicle and is affected by weight, condition of truck, how it is equipped and the conditions of the operating area. Crown products and specifications are subject to change without notice.